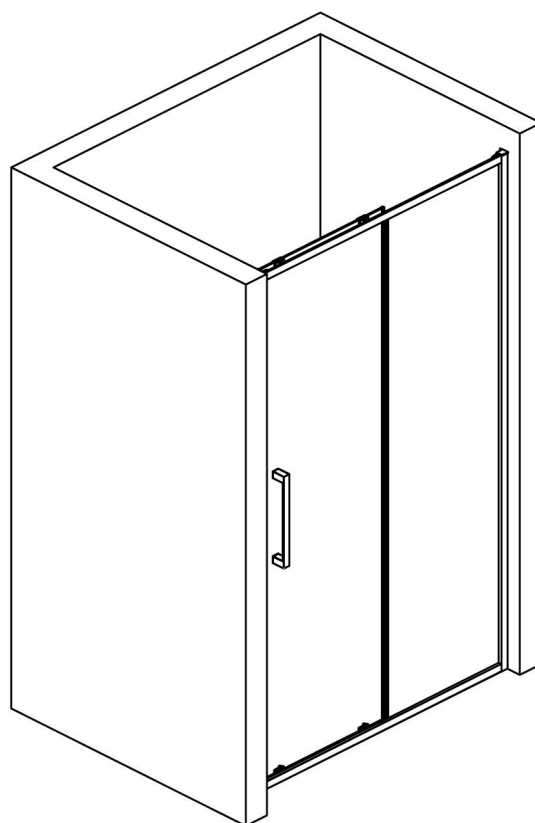
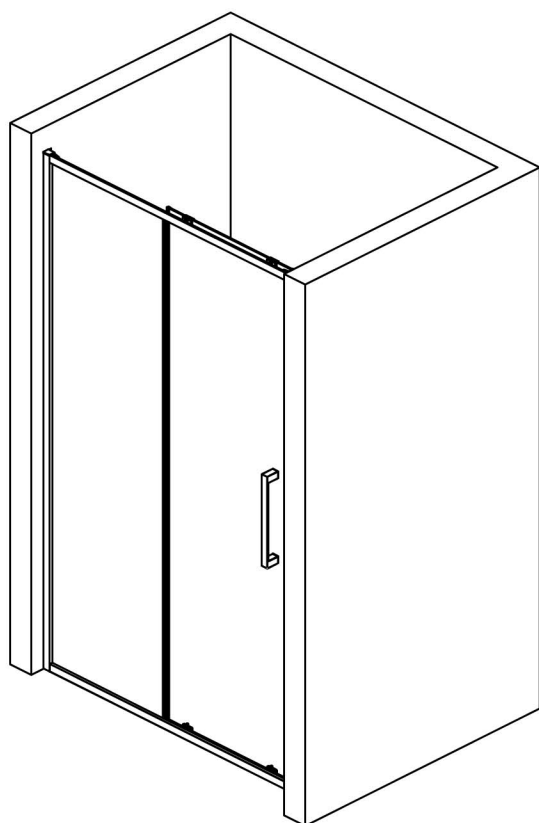
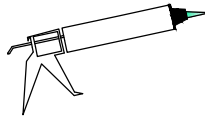
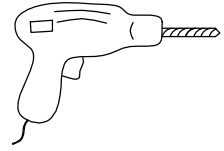
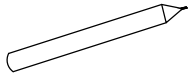
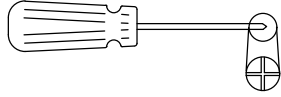
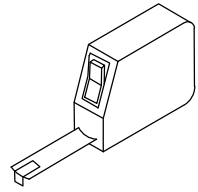
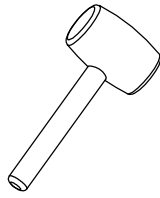
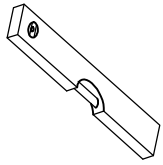


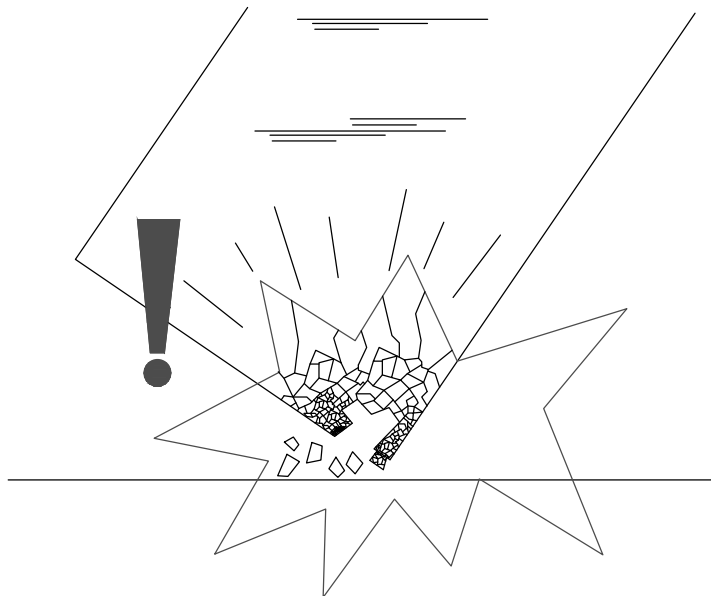
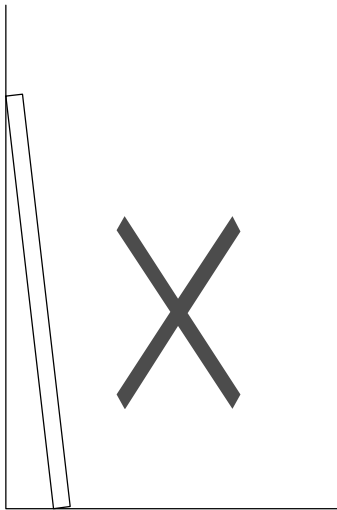
C-02-22100

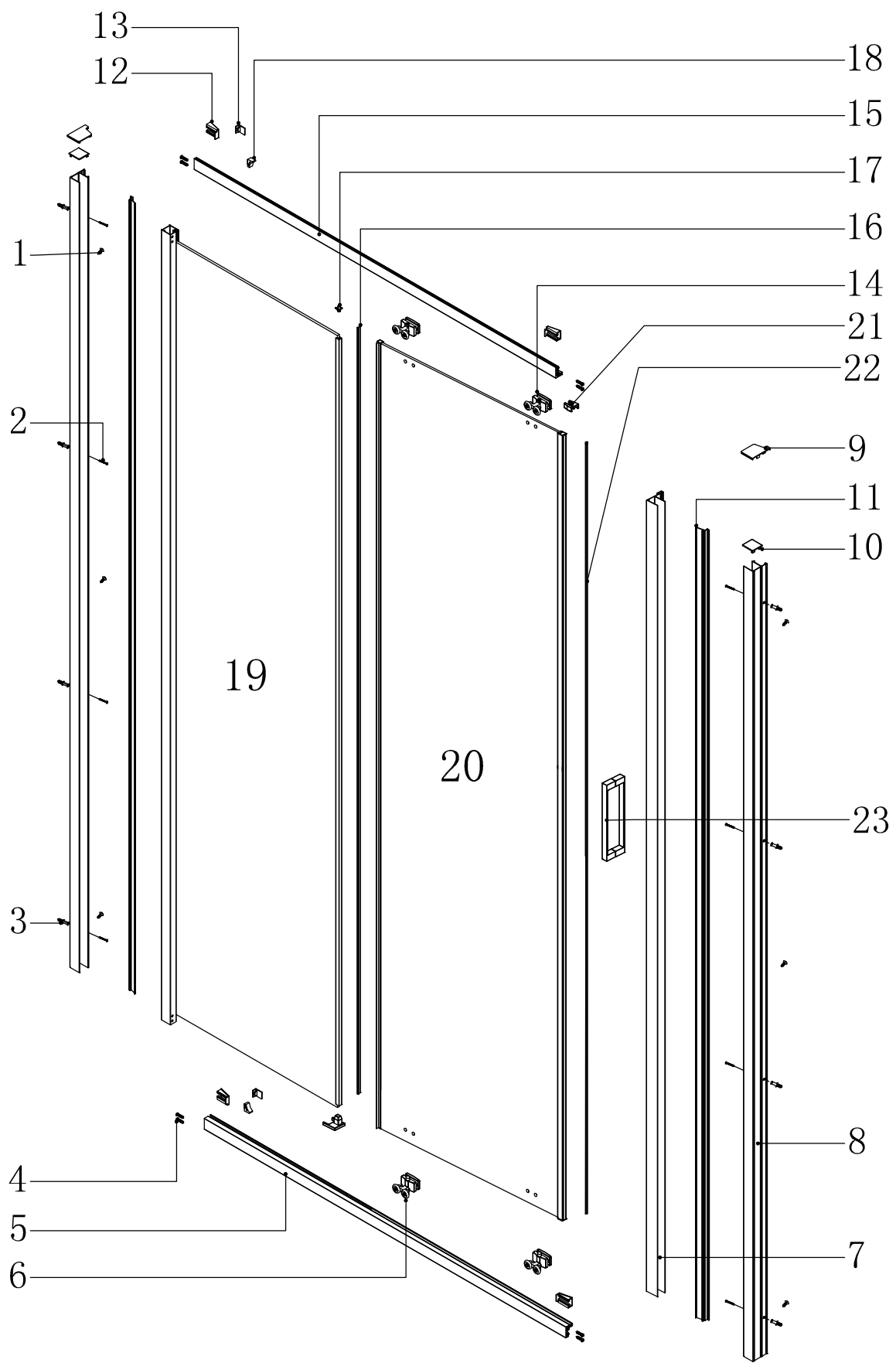
C-02-22120

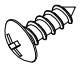

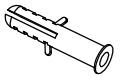

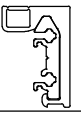
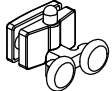
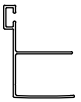
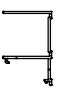
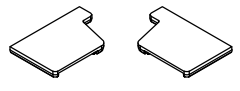

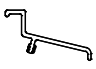
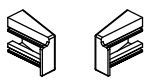
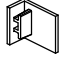
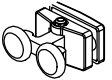
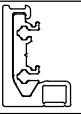
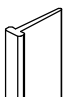


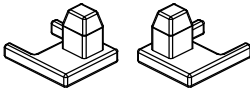



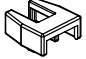
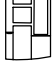
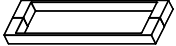




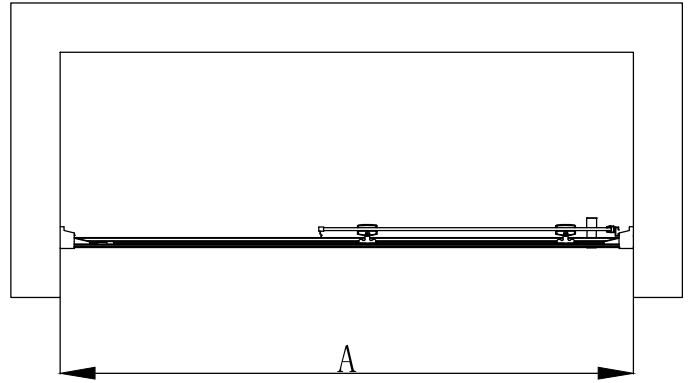
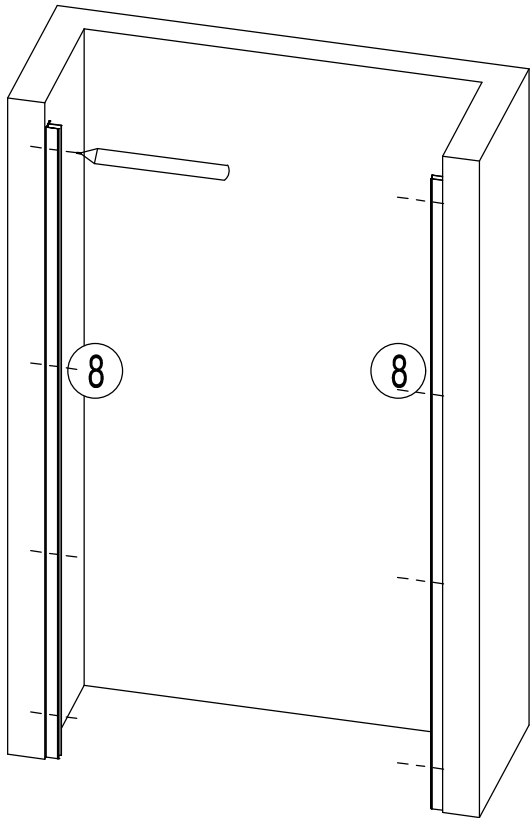
Ø6 Ø2.8



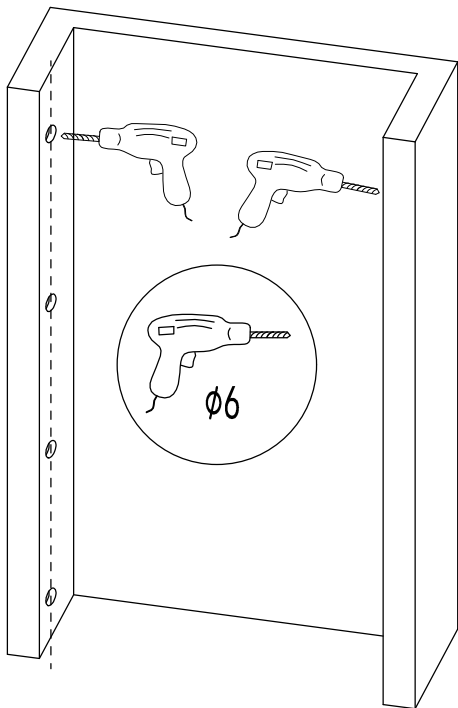


serial number	graphical	name	quantity	remarks
1		ST3.5X9.5	6 PCS	
2		ST3.9X35	8 PCS	
3		∅6	8 PCS	
4		ST3.9X20	8 PCS	
5			1 PCS	
6			2 PCS	
7			1 PCS	
8			2 PCS	
9		L/R	2 PCS	
10			2 PCS	
11			2 PCS	
12		L/R	4 PCS	
13			2 PCS	
14			2 PCS	
15			1 PCS	
16			1 PCS	

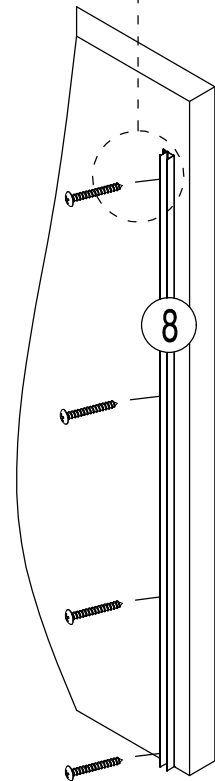
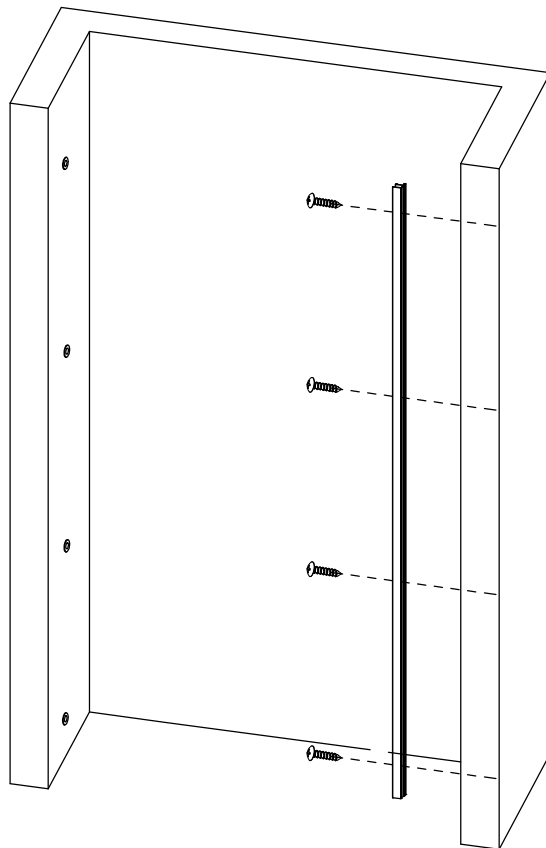
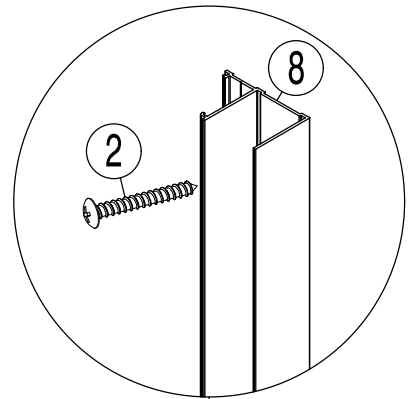
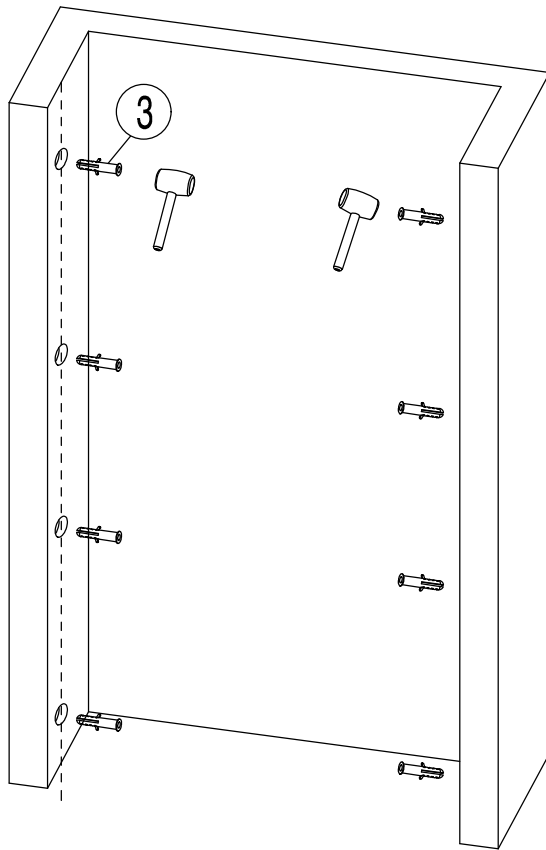
serial number	graphical	name	quantity	remarks
17		L/R	2 PCS	
18			2 PCS	
19			1 PCS	
20			1 PCS	
21			1 PCS	
22			1 PCS	
23			1 PCS	
24		M2.5	1 PCS	
25		M2	1 PCS	



Size (mm)	A (mm)
1000	975-1005
1200	1175-1205



L

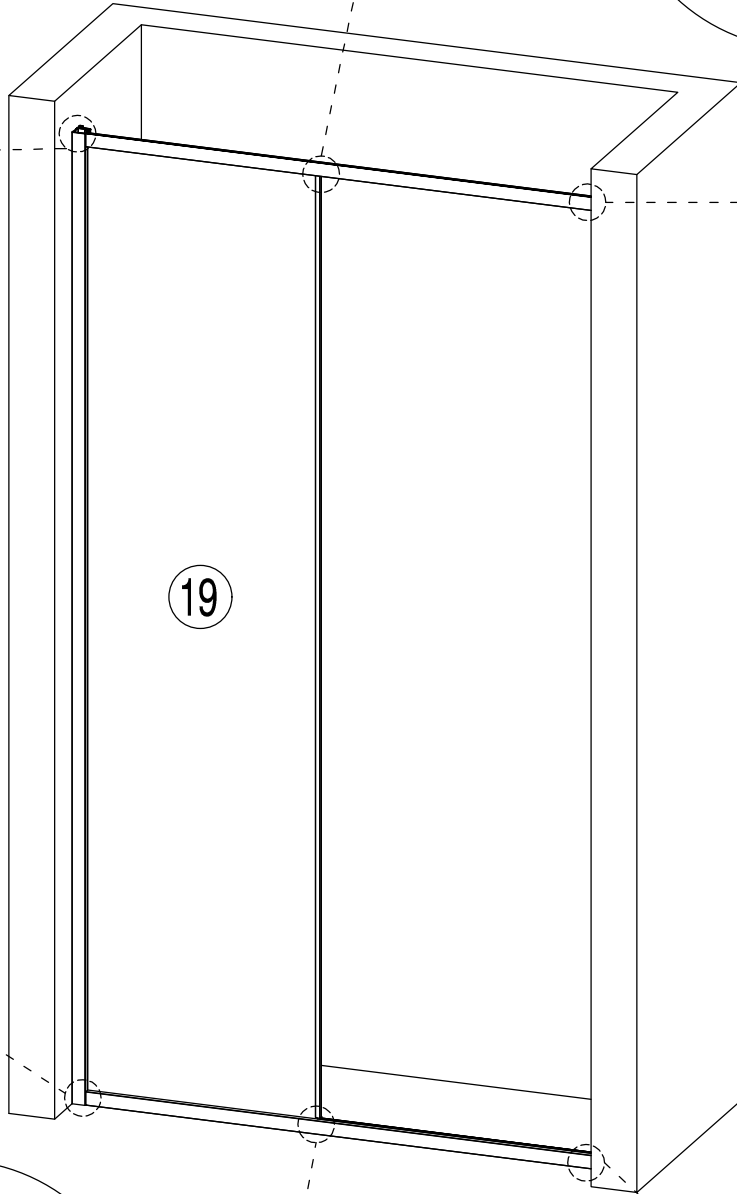
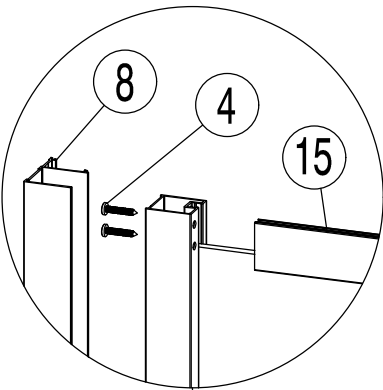
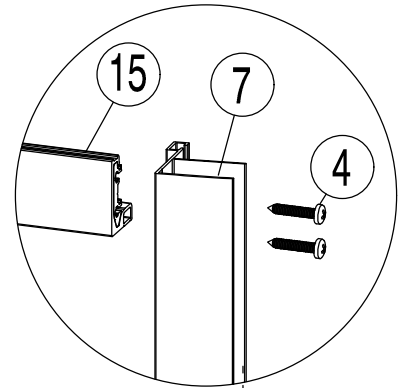
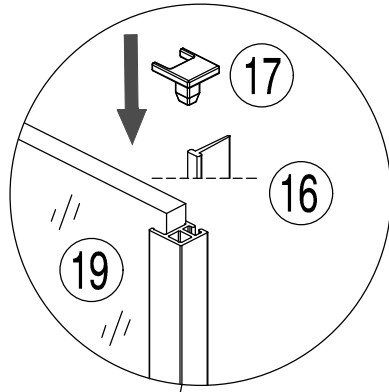


L

1

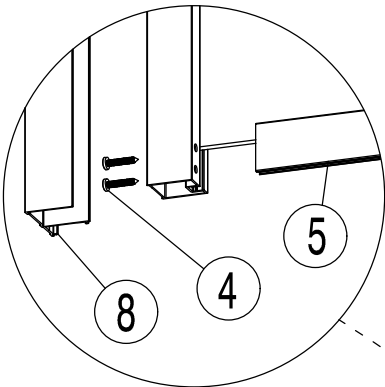
5

3

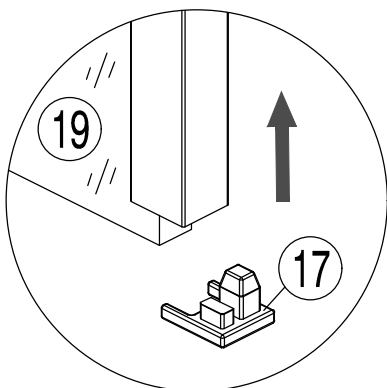


19

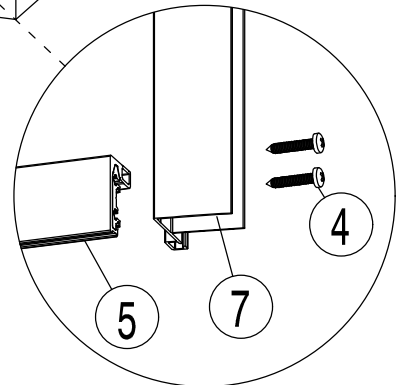
4



2



6



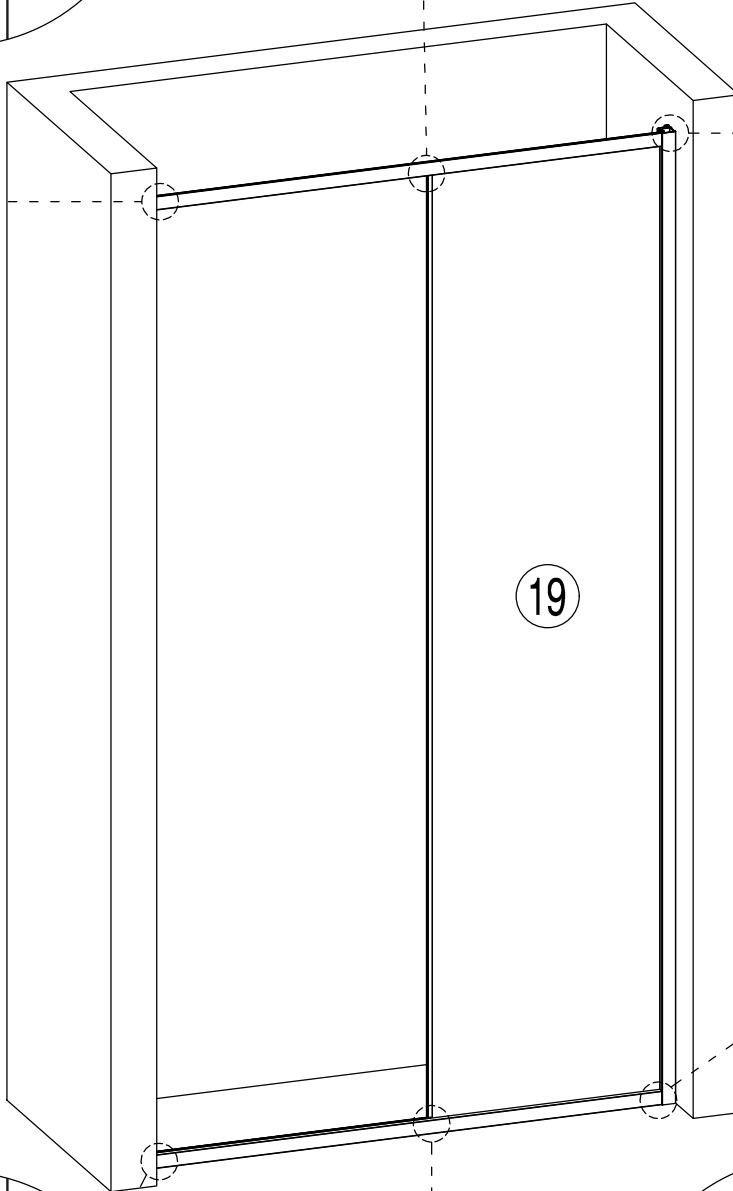
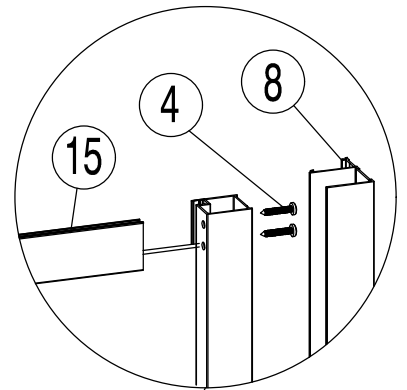
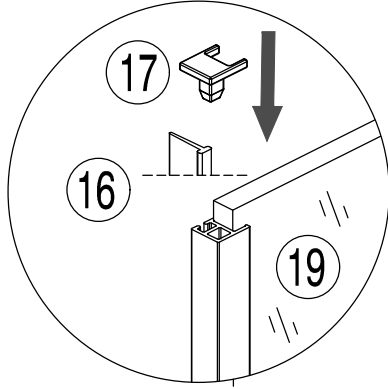
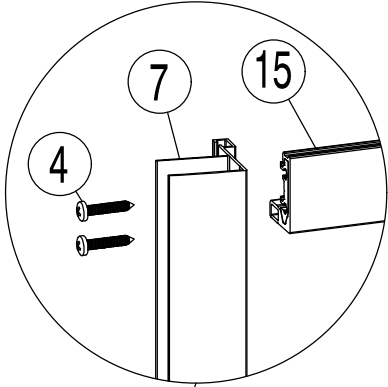
< 3 >

R

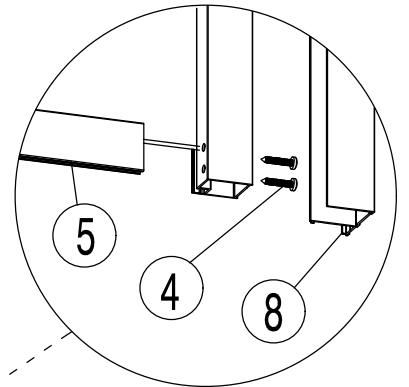
1

5

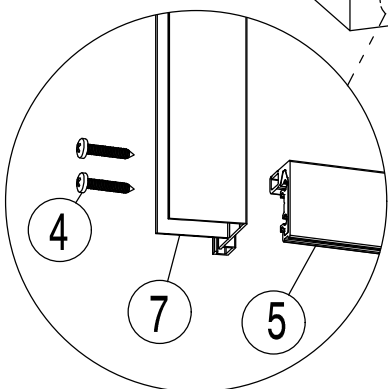
3



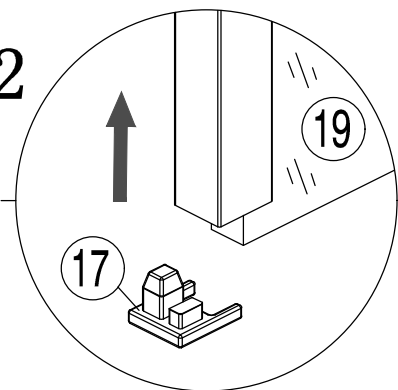
6



4

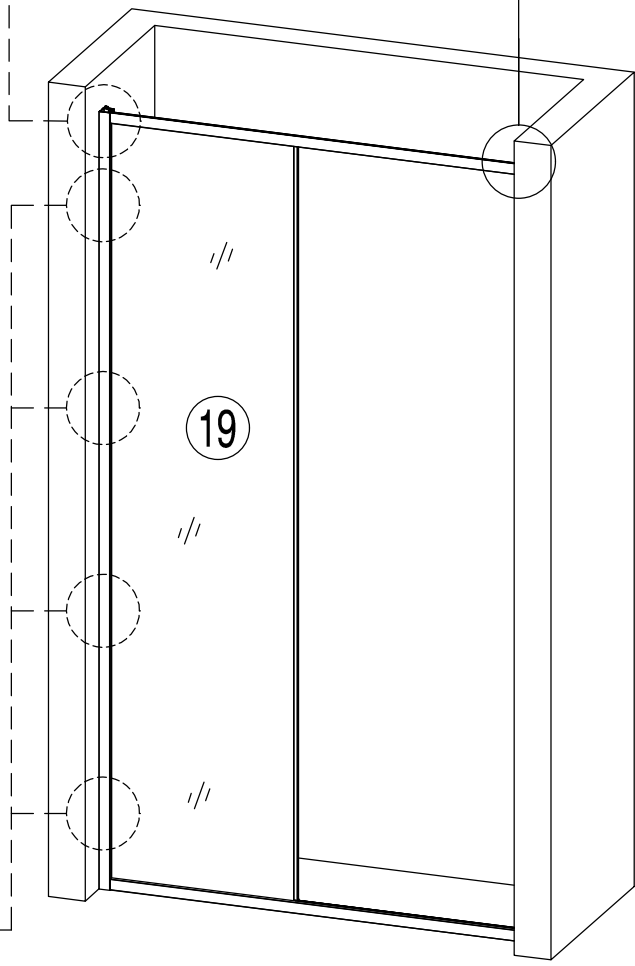
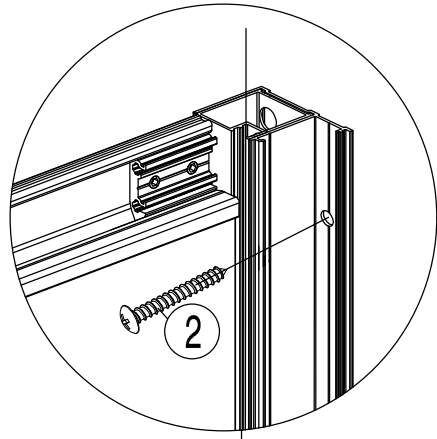
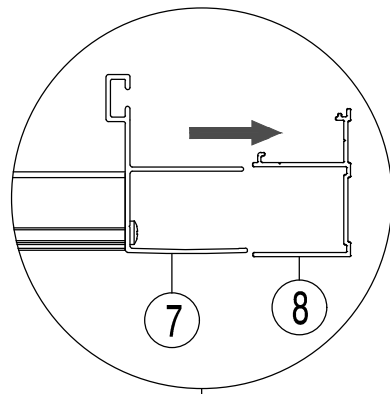
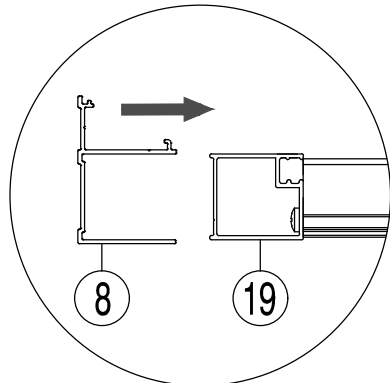


2



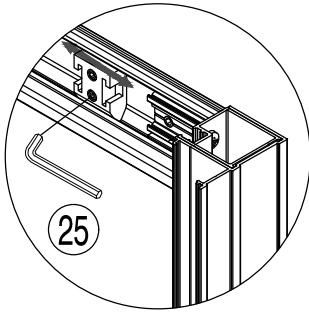
< 4 >

L

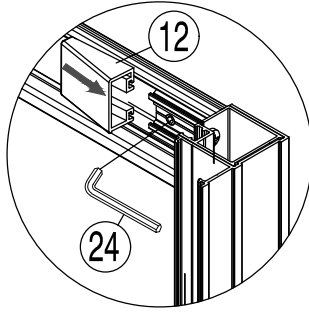


L

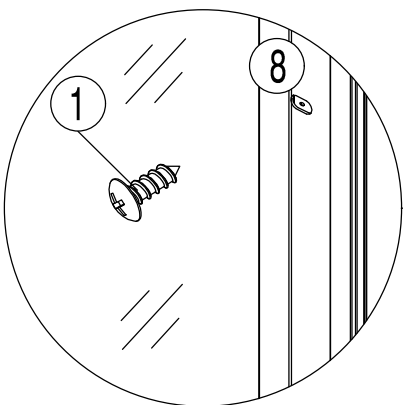
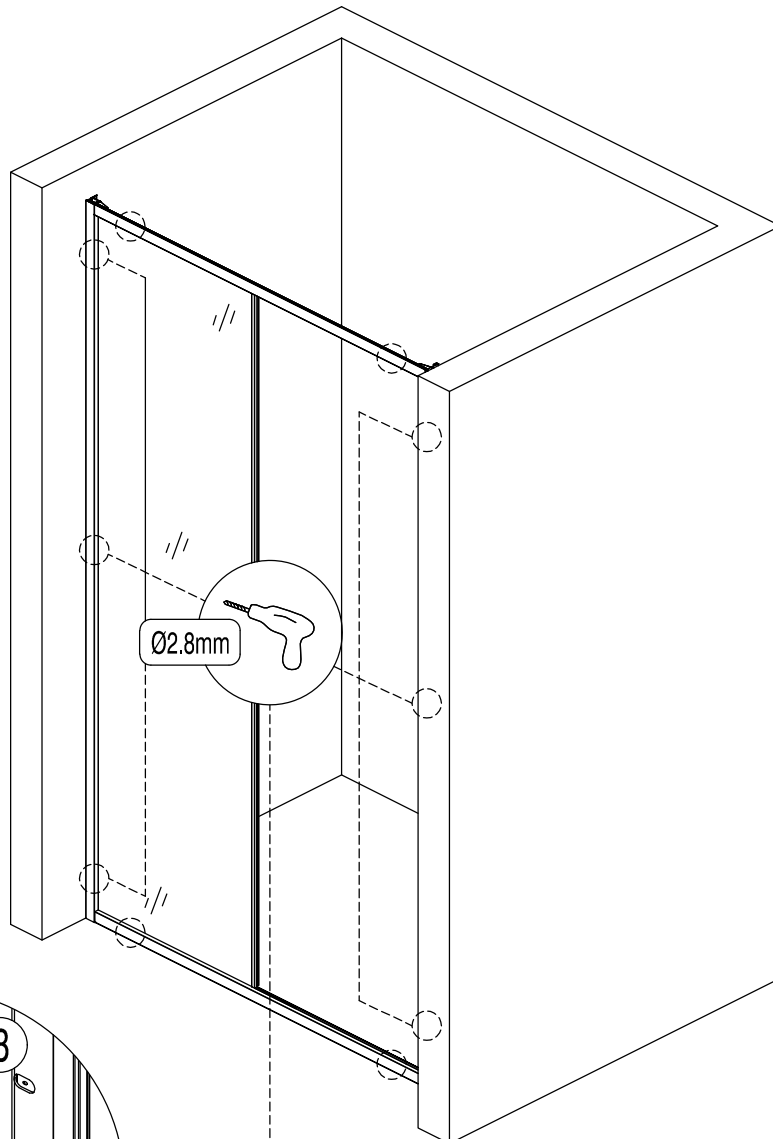
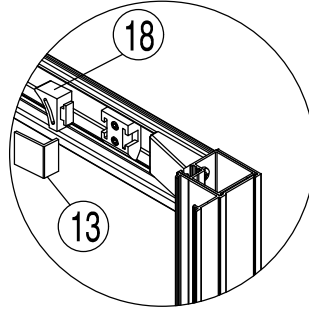
1



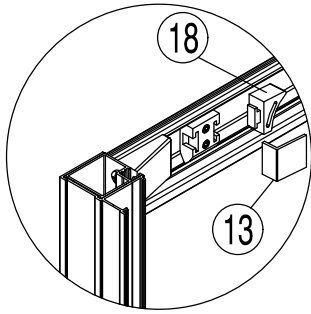
2



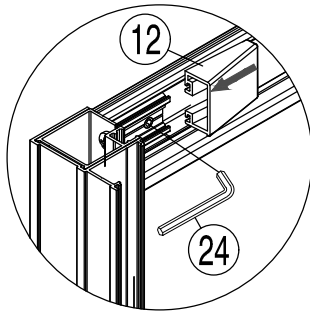
3



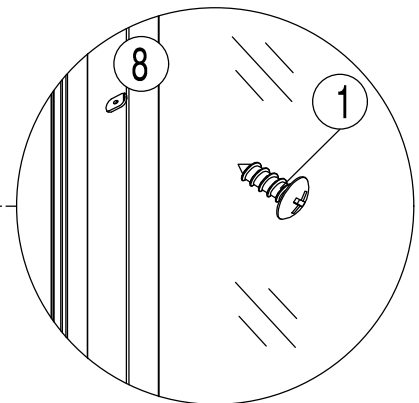
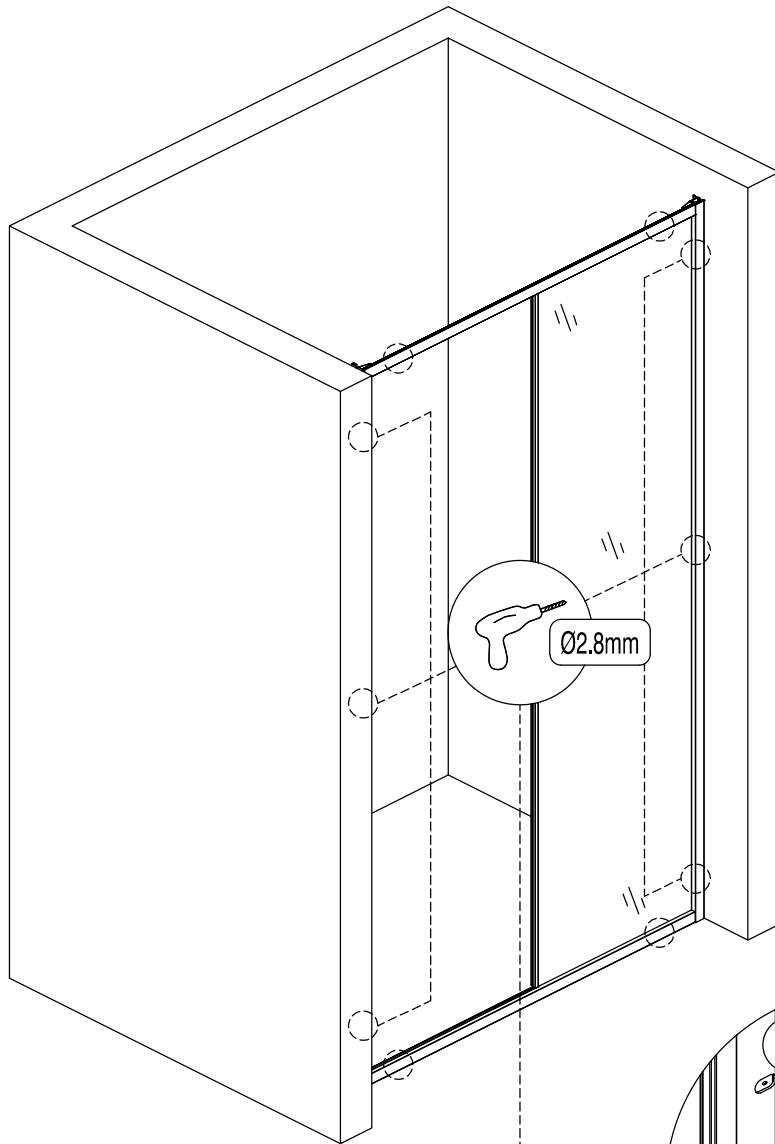
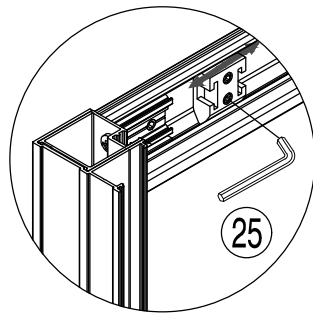
3



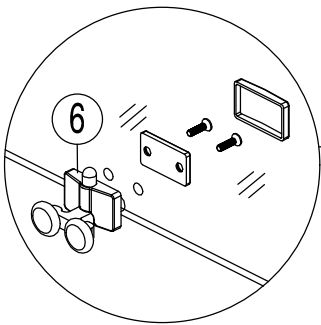
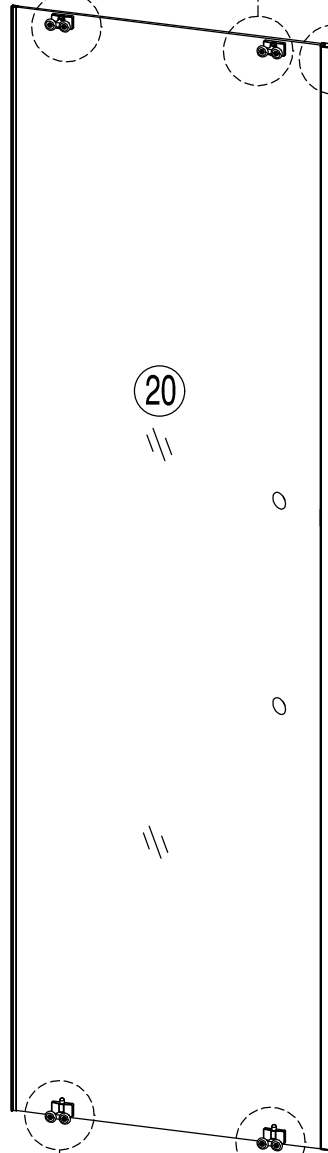
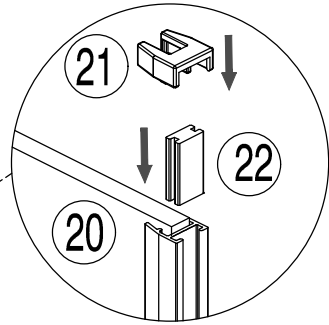
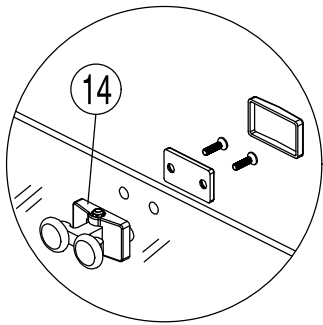
2

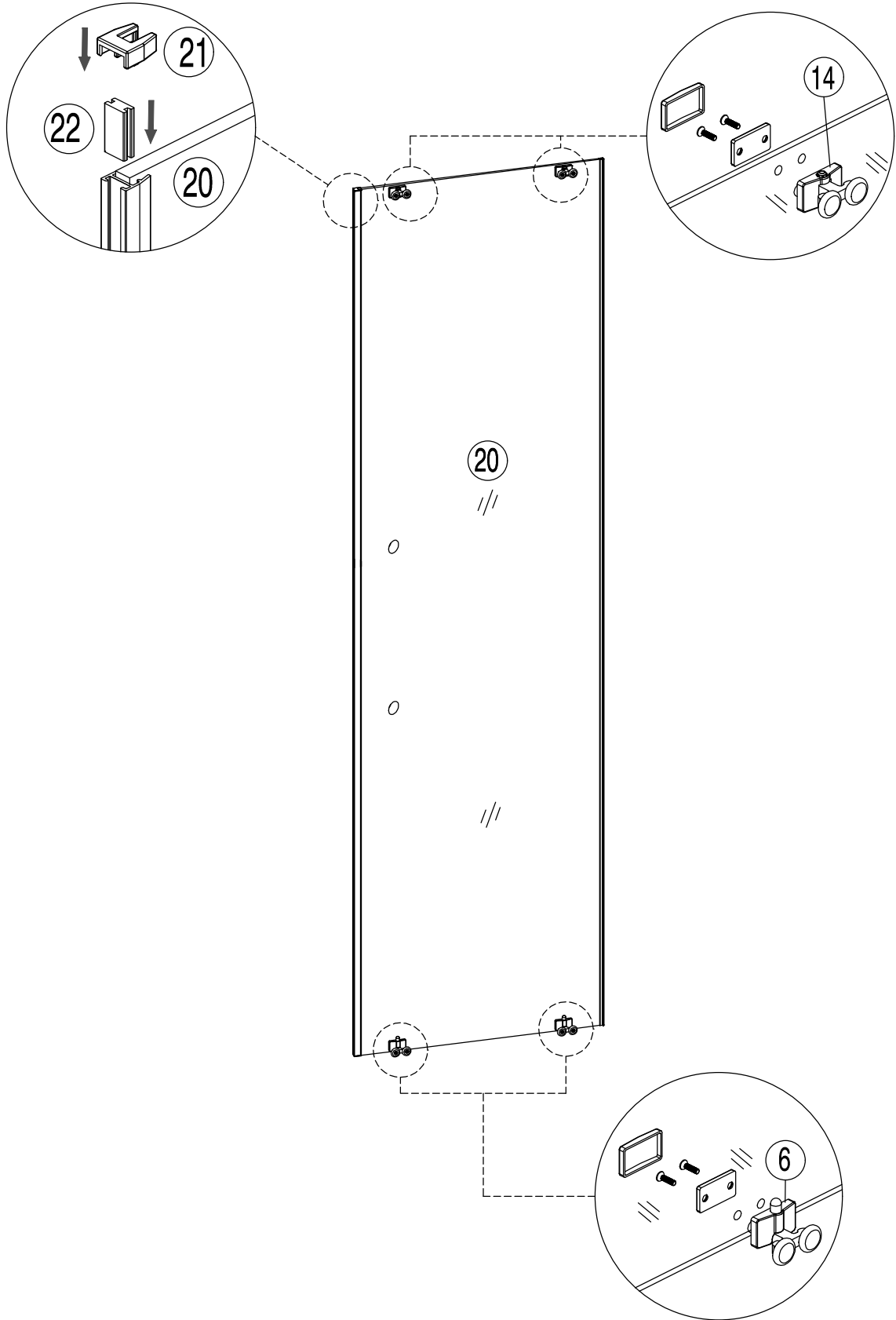


1

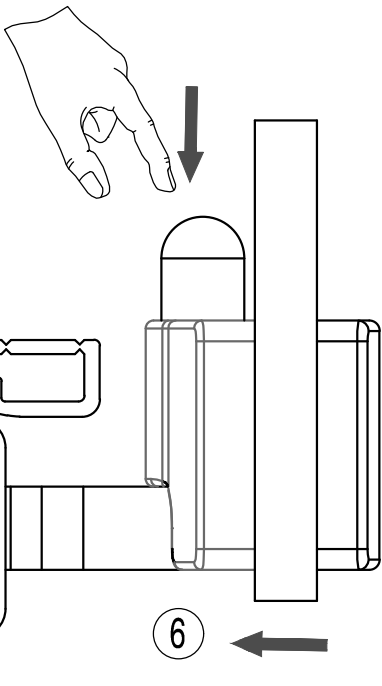
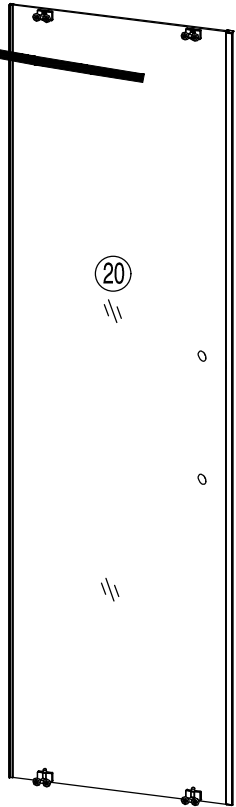
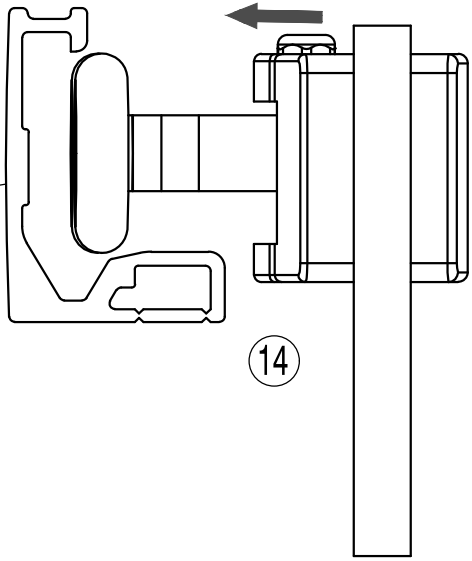
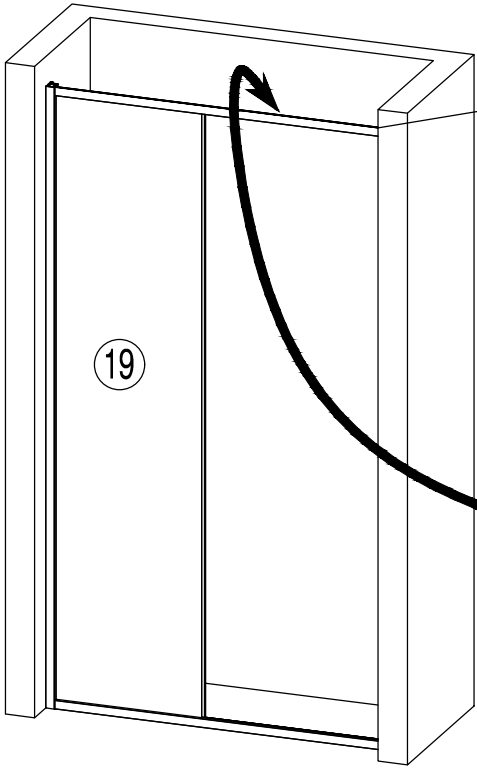


L

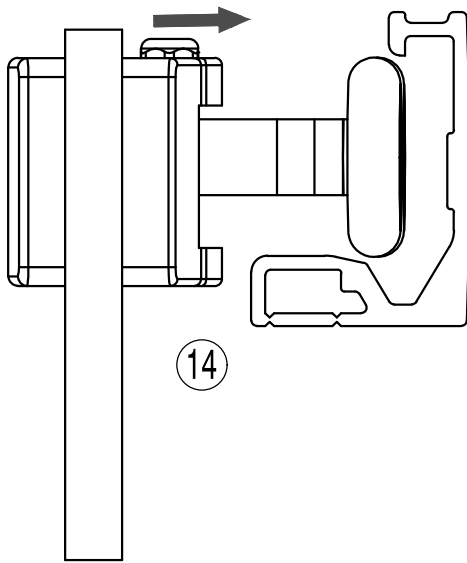




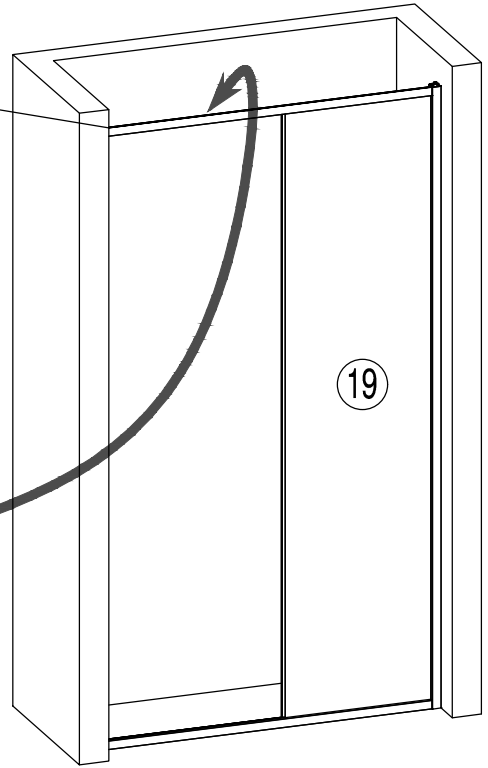
L



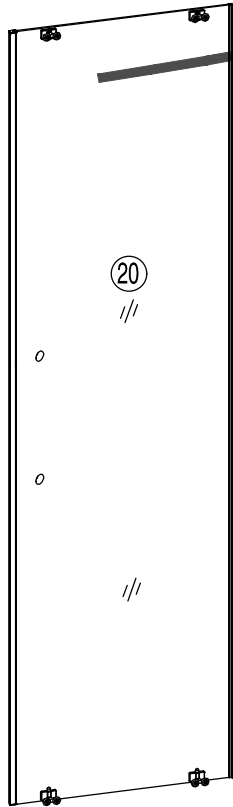
R



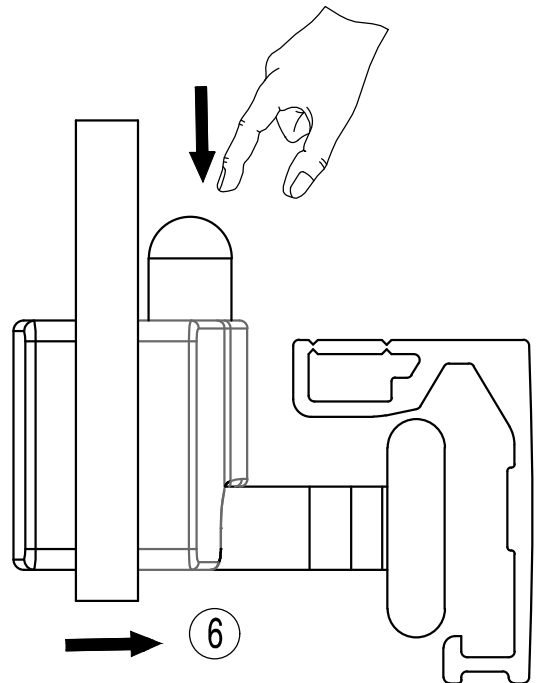
14



19



20



6

L

